

WIRING DIAGRAMS
Article Text
1992 Mazda Miata
For Yorba Linda Miata
Copyright © 1998 Mitchell Repair Information Company, LLC
Saturday, May 10, 2003 11:21AM

ARTICLE BEGINNING

1992 WIRING DIAGRAMS
Mazda Wiring Diagrams

Mazda; Miata

IDENTIFICATION

COMPONENT LOCATION MENU

COMPONENT LOCATIONS TABLE

AA

Component	Figure No. (Location)
A/C COMPONENT CLUTCH	3 (E 11)
A/C RELAY	3 (E 11)
A/C THERM SWITCH	3 (E 8)
AUTOMATIC TRANSMISSION CONTROL UNIT	6 (D-E 20)
ABS SYSTEM	5 (A-D 17-19)
ADDITIONAL FAN MOTOR	3 (E 11)
AIRBAG SYSTEM	5 (A-D 16-18)
ALTERNATOR	1 (C 3)
BACK-UP LIGHT SWITCH	6 (D 23)
BATTERY	1 (A 2)
BLOWER MOTOR RELAY	3 (D 9)
BRAKE FLUID LEVEL SENSOR	4 (B 15)
CIGARETTE LIGHTER	3 (C 9)
CIRCUIT OPENING RELAY	2 (C 4)
CLUTCH SWITCH	2 (E 7)
COMBINATION SWITCH	4,5 (C-E 12,C-D 16)
COOLING FAN RELAY & MOTOR	3 (E 10)
CRUISE CONTROL	4 (C-E 14-15)
DIAGNOSTIC CONNECTOR	2 (A-B 4)
DIRECTIONAL/HAZARD FLASHER	4 (C-D 14-15)
ENGINE CONTROL UNIT (ECU)	2 (A 4-7)
FOG LIGHT SWITCH	4 (C 12)
FUEL TANK UNIT	6 (A 22)
FUSE BLOCK	3 (A-C 9-10)
HEADLIGHT RELAY	4 (D 14)
HEADLIGHT RETRACTORS	1 (B-D 1)
HEATER CONTROL UNIT	3 (E 8)
HORN RELAY	5 (C 17-18)
HYDRAULIC UNIT	5 (A-B 19)
IGNITER	2 (C 4)
IGNITION COIL	2 (D 4)
IGNITION SWITCH	3 (A 8)
ILLUMINATOR LIGHTS	4 (C 12-13)
INHIBITOR SWITCH	1,6 (A 3,D 23)
INSTRUMENT CLUSTER	4 (A-B 12-15)
INTERIOR LIGHTS	3 (C 11)

WIRING DIAGRAMS
Article Text (p. 2)
 1992 Mazda Miata
 For Yorba Linda Miata
 Copyright © 1998 Mitchell Repair Information Company, LLC
 Saturday, May 10, 2003 11:21AM

JC-02	2 (E 4)
JC-03	2 (D-E 5)
JC-05	5 (E 19)
JC-06	5 (E 19)
JC-07	6 (D 22)
JOINT CONNECTOR #2	5 (B 18)
KICKDOWN RELAY	6 (E 20)
MAIN RELAY	2 (E 7)
NEUTRAL SWITCH	2 (E 7)
PANEL LIGHTS CONTROL SWITCH	4 (B 12)
POWER ANTENNA	6 (B 20-21)
POWER WINDOWS	6 (A 20)
REAR DEFOGGER RELAY	6 (C 20)
REAR DEFOGGER TIMER UNIT	6 (C 20)
RELAY & MAIN FUSE BLOCK	1 (B-C 2-3)
RETRACTOR RELAY	1 (D 2)
RETRACTOR/HAZARD SWITCH	4 (C 13-14)
SEAT BELT SWITCH	3 (D 10)
SHIFT LOCK ACTUATOR	6 (C-D 21-22)
STARTER INTERLOCK SWITCH	1 (A 3)
STARTER MOTOR	1 (A 3)
STOP LIGHT SWITCH	3 (C 11)
TNS RELAY	4 (E 14)
TRUNK FUSE BLOCK	6 (B 22)
WINDSHIELD WIPER MOTOR	1 (D 3)
WARNING BUZZER	3 (D 11)
WASHER FLUID LEVEL SENSOR	4 (B 12-13)
WASHER MOTOR	1 (D 3)

AA

GROUND LOCATION MENU

GROUND LOCATIONS TABLE
 AAA

Component	Figure No. (Location)
GROUND A: (NEAR BATTERY)	1 (A 2)
GROUND B: (LEFT SIDE OF ENGINE COMPARTMENT, JC-01)	1 (E 3)
GROUND C: (RIGHT SIDE OF UNDERDASH NEAR BLOWER)	1 (E 3)
GROUND D: (RIGHT REAR COMPARTMENT ON ENGINE BLOCK)	3 (E 9-10)
GROUND E: (RIGHT REAR ENGINE COMPARTMENT ON ENGINE BLOCK)	2 (E 4)
GROUND F: (RIGHT SIDE OF UNDERDASH, ABOVE BLOWER)	5 (B 17)
GROUND G: (LEFT SIDE OF UNDERDASH, ABOVE FUSE BLOCK, JC-04)	5 (B 17)
GROUND H: (FAR RIGHT SIDE OF UNDERDASH)	5 (E 17)
GROUND I: (FAR LEFT SIDE OF UNDERDASH)	5 (E 17)
GROUND J: (REAR OF TRUNK, BETWEEN LICENSE LIGHTS)	6 (E 22)
GROUND K: (RIGHR REAR TRUNK)	6 (C 22)

WIRING DIAGRAMS

Article Text (p. 3)

1992 Mazda Miata

For Yorba Linda Miata

Copyright © 1998 Mitchell Repair Information Company, LLC
Saturday, May 10, 2003 11:21AM



WIRING DIAGRAM

COMPONENT LOCATOR:

A/C COMP CLUTCH	E 11
A/C RELAY	F 11
A/C THERMO SW	F 8
A/T CONTROL UNIT	D-E 20
ABS SYSTEM	A-D 17-19
ADDITIONAL FAN MOTOR	E 11
AIRBAG SYSTEM	A-D 18-18
ALTERNATOR	C 3
BACK-UP LT SW	D 23
BATTERY	A 2
BLU-ON MOTOR RELAY	C 9
BRAKE FLUID LEVEL SENSOR	B 15
CIG LTR	C 9
CIRCUIT OPENING RELAY	C 4
CLUTCH SW	E 7
COMBINATION SW	C-E 12/C-16
COOLING FAN RELAY & MOTOR	E 10
CRUISE CONTROL	C-E 14-15
DIA DOWN	B-9 4
DIR/HAZ FLASHER	C-D 14-15
ENGINE CONTROL UNIT (ECU)	A 4-7
FOG LT SW	A 12
FUEL TANK UNIT	A 22
FUSE BLOCK	A-C 9-10
GROUND A	A 2
GROUND B	E 3
GROUND C	E 3
GROUND D	E 4
GROUND E	E 4
GROUND F	B 17
GROUND G	B 17
GROUND H	E 17
GROUND I	E 17
GROUND J	E 22
GROUND K	C 22
H-AULT RELAY	D 14
HEADLT RETRACTORS	B-D 1
H-STARTER CONTROL UNIT	E 8
HORN RELAY	C 17-18
HYDRAULIC UNIT	A-3 19
IGNITER	C 4
IGNITION SW	A 8
ILLUM LITS	C 12-12
INHIBITOR SW	A 3/D 23
INSTRUMENT CLUSTER	A-B 12-15
INTERIOR LITS	C 11
JC-02	E 4
JC-03	D-E 5
JC-05	E 18
JC-06	E 18
JC-07	D 23
JOINT CONN #2	B 16
KICKDOWN RELAY	F 20
MAIN RELAY	E 7
NEUTRAL SW	E 7
PANEL LITS CONTROL SW	B 12
POWER ANTENNA	B 20-21
REAR DEFOGGER RELAY	C 20
REAR DEFOGGER TIMER UNIT	C 20
RELAY & MAIN FUSE BLOCK	B-C 2-3
RETRACTOR RELAY	D 2
RETRACTOR/HAZARD SW	C 13-14
SEAT BELT SW	D 10
SHIFT LOCK ACTUATOR	C-D 21-22
STARTER INTERLOCK SW	A 3
STARTER MOTOR	A 3
STOP LT SW	C 11
TNS RELAY	E 14
TRUNK FUSE BLOCK	B 22
W/SHIELD WIPER MOTOR	D 3
WARNING BUZZER	D 11
WASHER FLUID LEVEL SENSOR	B 12-13
WASHER MOTOR	D 3

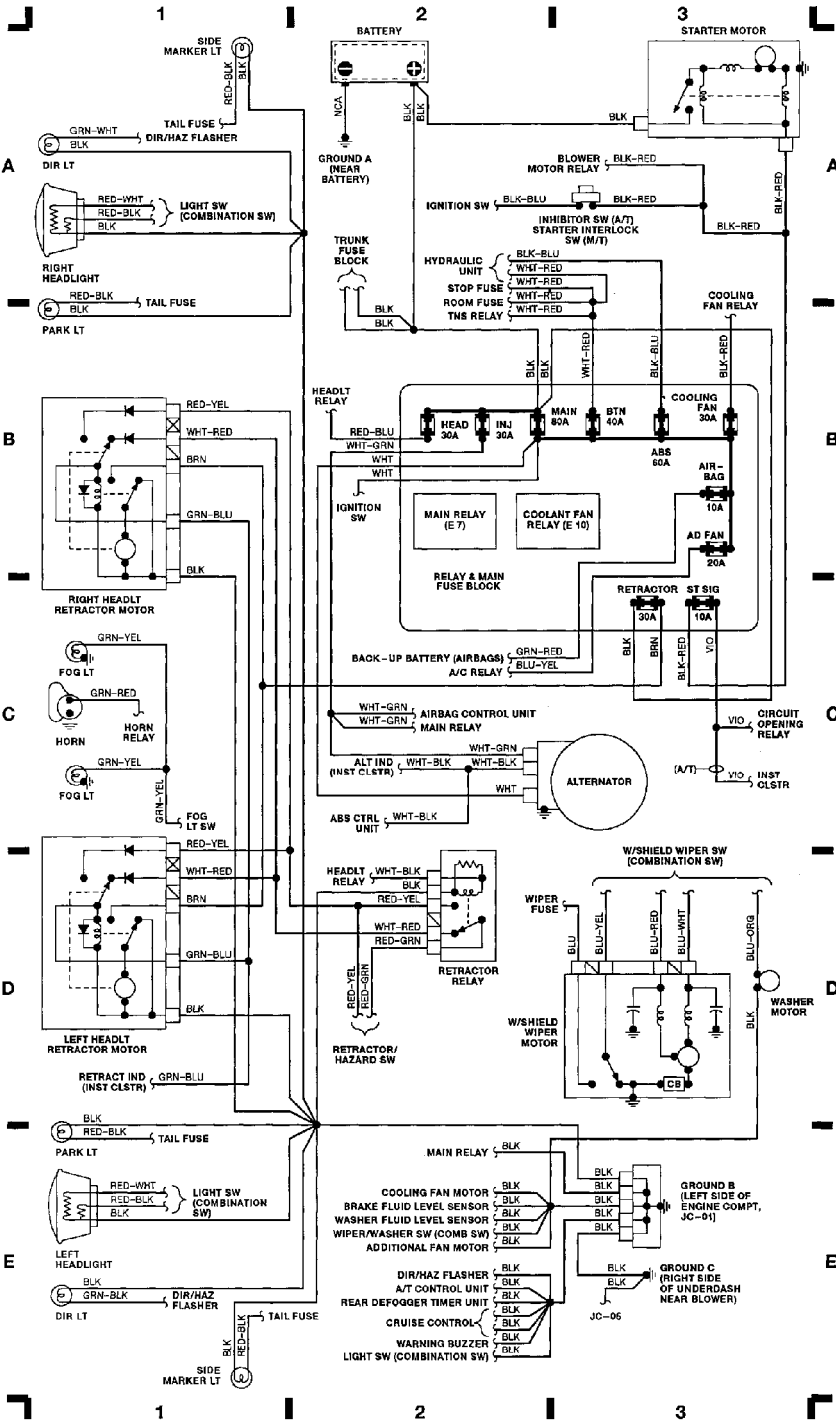


Fig. 1: Headlights, Battery, Alternator, Starter Mtr (Grid 1-3)

93E03449

WIRING DIAGRAMS
Article Text (p. 4)
 1992 Mazda Miata
 For Yorba Linda Miata
 Copyright © 1998 Mitchell Repair Information Company, LLC
 Saturday, May 10, 2003 11:21AM

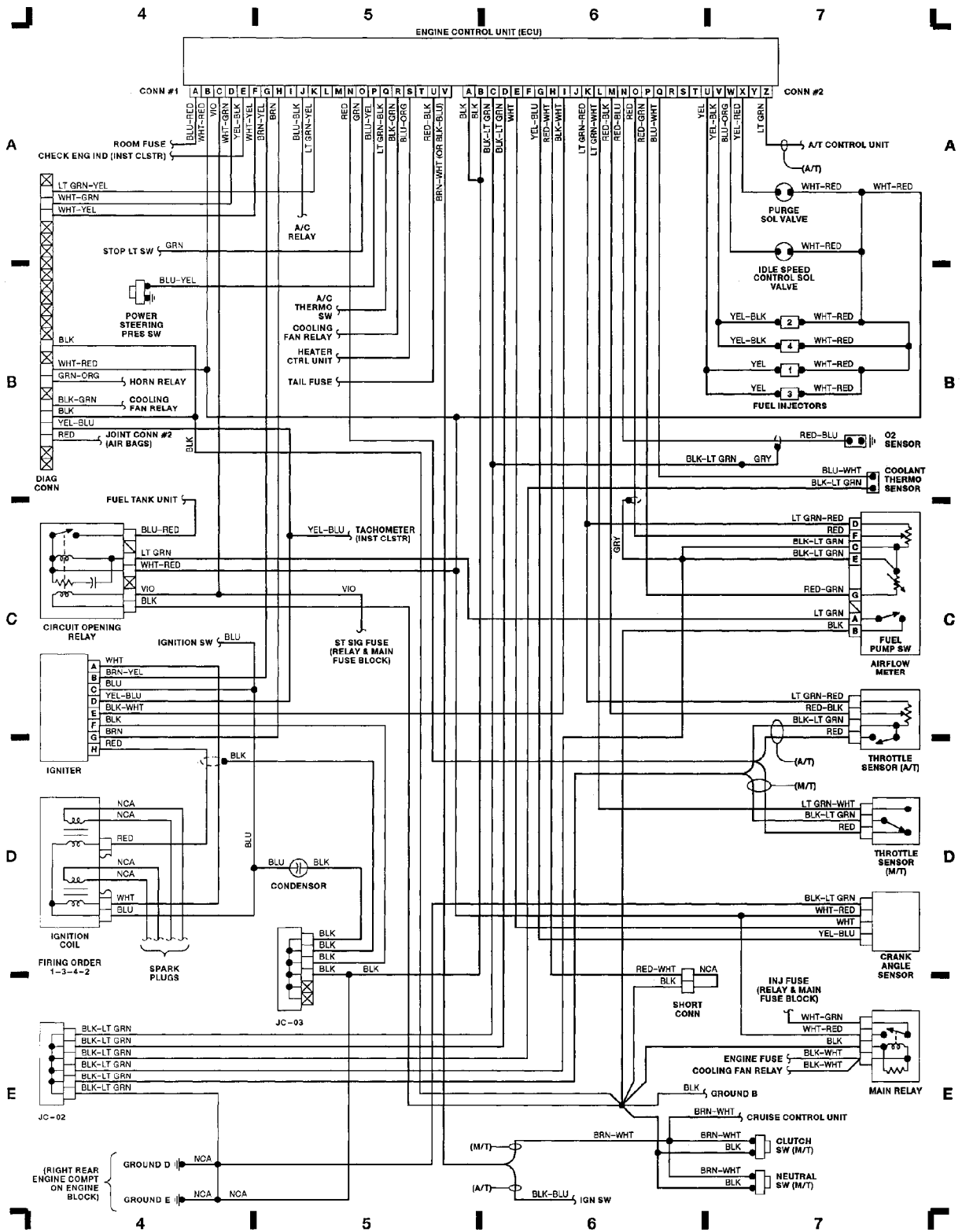


Fig. 2: ECU, Igniter, Main Rly, Throttle Sens (Grid 4-7)

WIRING DIAGRAMS
Article Text (p. 5)
 1992 Mazda Miata
 For Yorba Linda Miata
 Copyright © 1998 Mitchell Repair Information Company, LLC
 Saturday, May 10, 2003 11:21AM

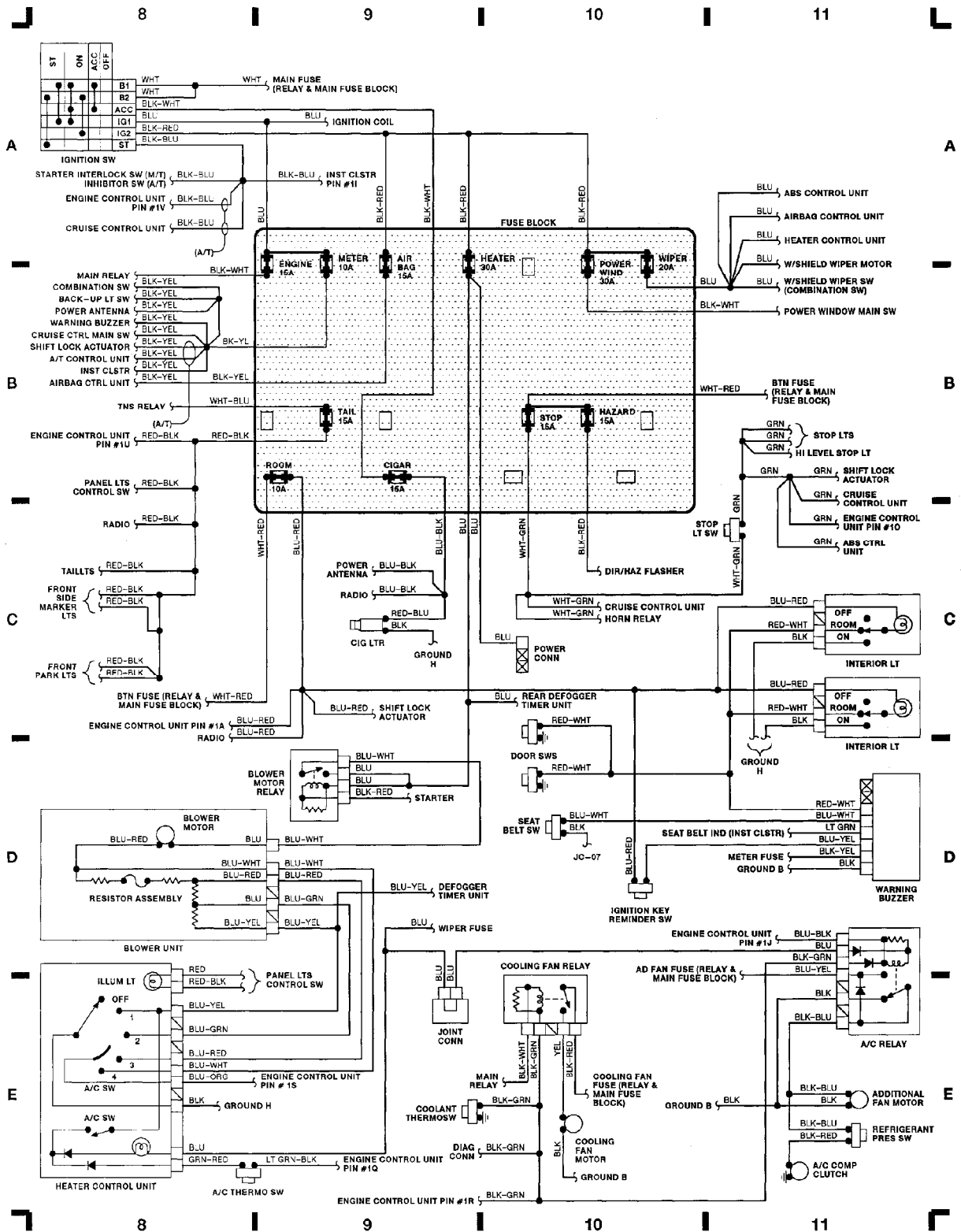


Fig. 3: Heater Ctrl Unit, Ignition Sw, A/C Relay (Grid 8-11)

WIRING DIAGRAMS
Article Text (p. 6)
 1992 Mazda Miata
 For Yorba Linda Miata
 Copyright © 1998 Mitchell Repair Information Company, LLC
 Saturday, May 10, 2003 11:21AM

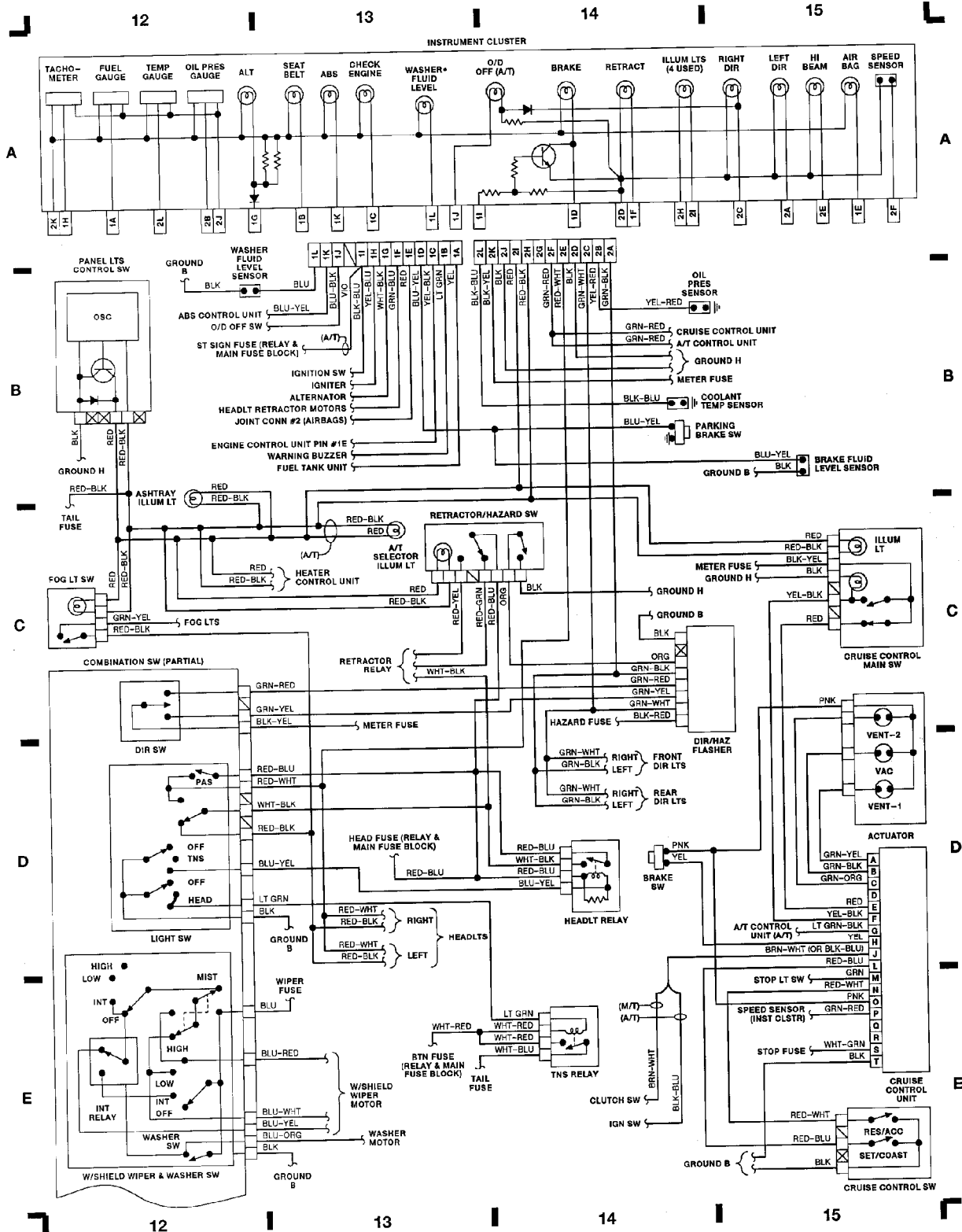


Fig. 4: Instrument Clstr, Combo Sw (Prtl), Cruise Ctrl (Grid 12-15)

WIRING DIAGRAMS
Article Text (p. 7)
 1992 Mazda Miata
 For Yorba Linda Miata
 Copyright © 1998 Mitchell Repair Information Company, LLC
 Saturday, May 10, 2003 11:21AM

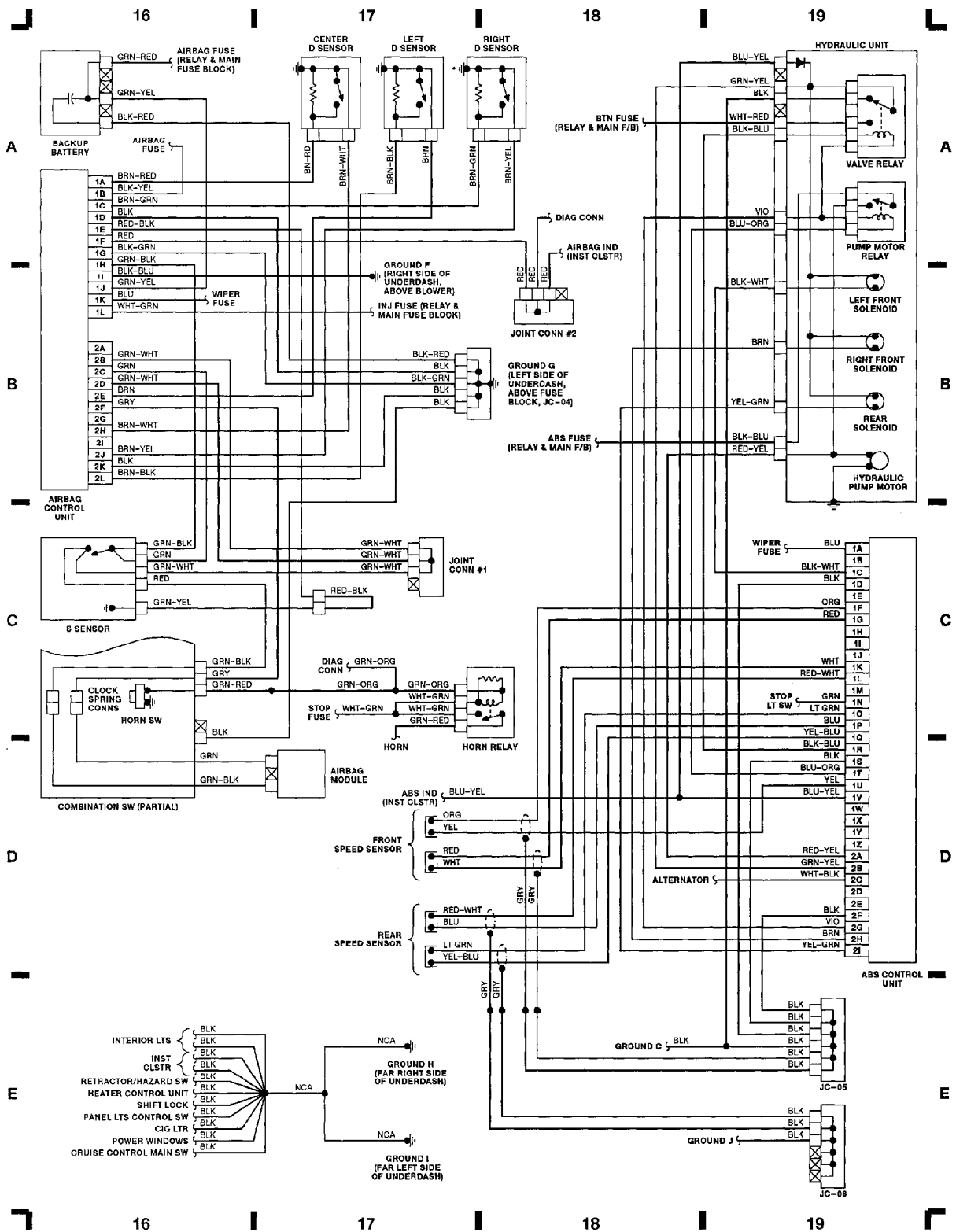


Fig. 5: ABS Ctrl Unit, Combo Sw (Prtl), Airbag Ctrl Unit (Grid 16-19)

WIRING DIAGRAMS
Article Text (p. 8)
 1992 Mazda Miata
 For Yorba Linda Miata
 Copyright © 1998 Mitchell Repair Information Company, LLC
 Saturday, May 10, 2003 11:21AM

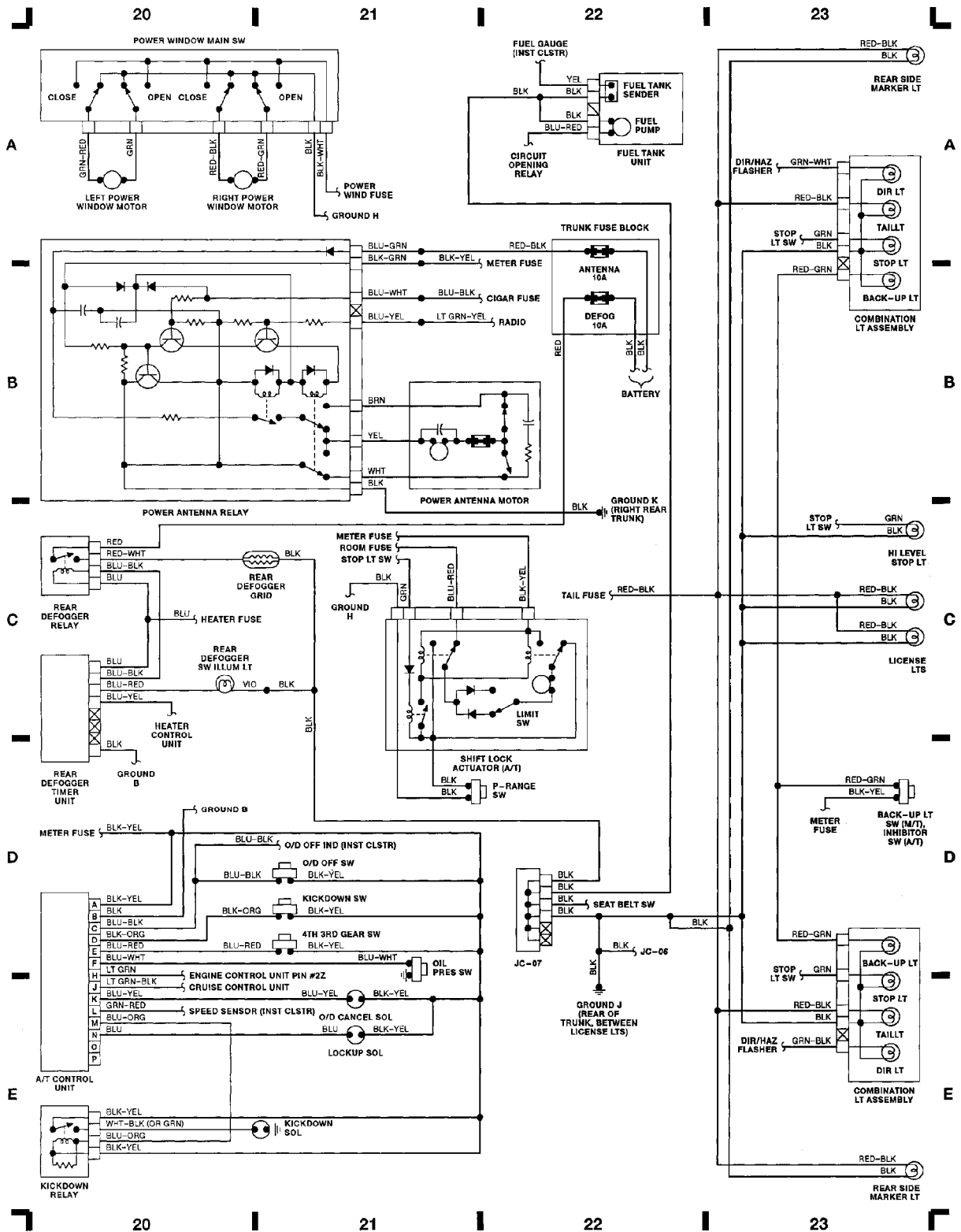


Fig. 6: Taillights, Pwr Windows, Defogger, A/T Ctrl Unit (Grid 20-23)

93E03454

END OF ARTICLE